



WATERKING
DREDGING EQUIPMENT HOLLAND

AMPHIBIOUS EXCAVATOR WK 20 NG-A

Waterking is one of the most experienced manufacturers in the world and has over 25 years of experience with amphibious equipment. All amphibious products are engineered and constructed in-house in the Netherlands accordance with the machine guideline (2006/42/EC) and are EC certified.

Waterking is a front-runner in amphibious equipment. All machines are durable, safe and have proven reliability. The amphibious excavators are efficient and they have a strong construction. The undercarriage is made of Cor-Ten steel and the bottom plates and wear strips are made of Hardox. Critical parts of the machine are protected to make sure they can't get damaged by use of the machine.



WK 20 NG-A

Especially for small waterways Waterking developed a small amphibious excavator. The machine is only 1,5 meters wide.

Working depth

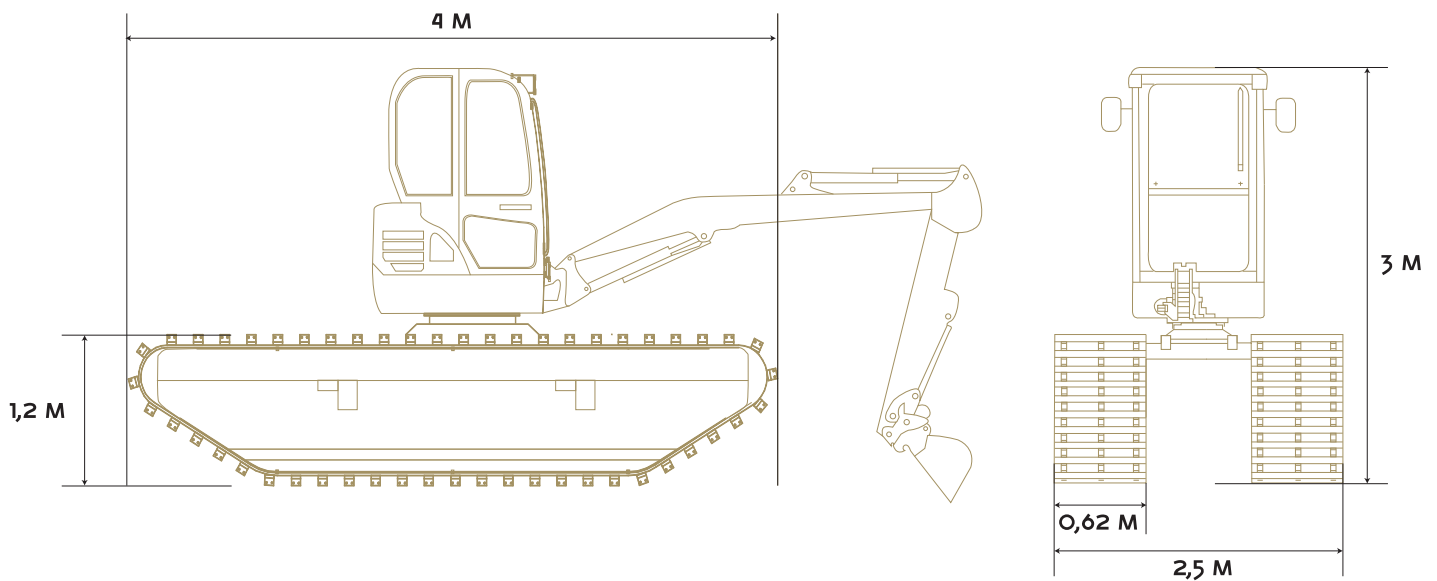
Amphibious excavators can be used on land as well as on water. This means it is possible to easily cross swamps, moats, ponds and other waterways.

The machine starts to float if activities are carried out in water up to 1.0 meters deep (3'15") and with additional pontoons it can work in water upto 1.5 meters deep. This amphibious excavator can be fitted with additional pontoons for extra stability and buoyancy. The additional pontoons are made of aluminium.

In case the waterways are too narrow it is also possible to deliver the amphibious excavator with only spud poles on the machine instead of the additional pontoons.



SPECIFICATIONS WK 20 NG-A



Height inclusive canopy	3 M Standard
Height inclusive luxe cabin	3 M
Pontoon dimensions	4000 x 620 x 1200 MM
Smallest width	1,5 M
Adjustable to	2,5 M
Chain	1 chain with poly track

Reach	Approx. 5 M (long reach)
Upper structure	Hyundai Doosan Bobcat Hitachi Yanmar Takeuchi
Options	Extra hydraulic functions
Accessory option	Perforated bucket



EASY TRANSPORTABLE





Waterking BV

Email
sales@waterking.nl

Website
www.waterking.nl

Phone
+ 31 (0) 592 - 55 95 36

Address

Mercuriusweg 22, 9482 WL Tynaarlo
The Netherlands

Post address

PO Box 1, 9480 AA Vries
The Netherlands